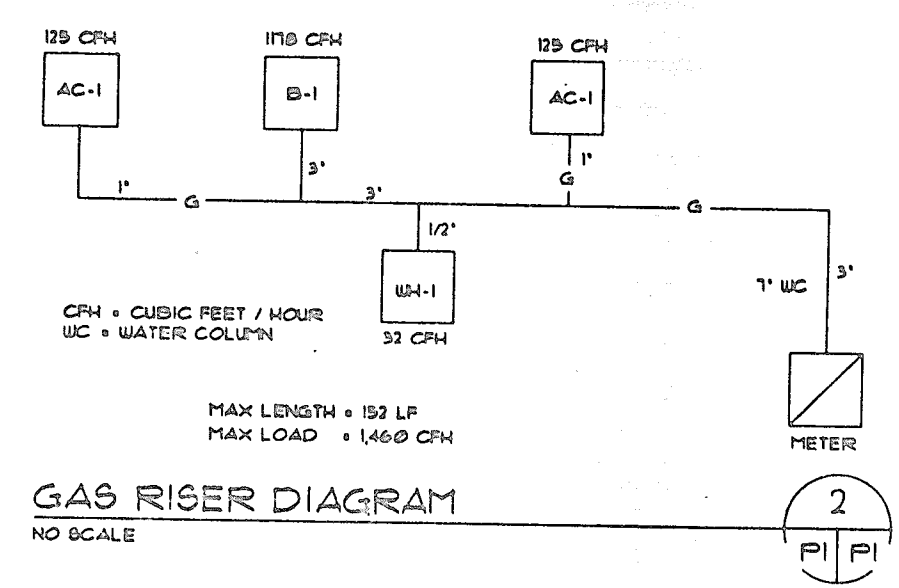


DOMESTIC (120 DEG F)
WATER HEATER DETAIL
NO SCALE



GAS RISER DIAGRAM
NO SCALE

PLUMBING FIXTURE LIST

- WC-1 WATER CLOSET, AMERICAN STANDARD NEW CADET AQUAMETER 2168128, 17" HIGH FOR THE HANDICAPPED, ELONGATED, 15 GAL PER FLUSH, SIPHON JET, W/ OLSONITE SEAT 135, WHITE OPEN FRONT SEAT LESS COVER, EXTRA HEAVY W/ CONCEALED CHECK HINGE. PROVIDE ANGLE STOP AND FLEX SUPPLY.
- LAV-1 LAVATORY, AMERICAN STANDARD 'AQUALYN' 20476203, 20" X 17", SELF RIMMING TYPE, VITREOUS CHINA, 4" CENTERS, W/ SINGLE LEVER TRIM, 'CERIMIX' 2001101 CHROME POP UP DRAIN, P TRAP, FLEX SUPPLIES W/ STOPS AND ESCUTCHEONS. INSULATE WATER SUPPLIES PER HANDICAP STANDARDS.
- LAV-2 WALL MOUNTED LAVATORY, AMERICAN STANDARD 'LUCERNE' 20356015, 20" X 18", WALL HUNG, 4" CENTERS, W/ SINGLE LEVER TRIM, 'CERIMIX' 2001101 CHROME POP UP DRAIN, P TRAP, FLEX SUPPLIES W/ STOPS AND ESCUTCHEONS. INSULATE WATER SUPPLIES AND WASTE PER HANDICAP STANDARDS.
- S-1 ELKAY DLR-2522 SINGLE COMPT, 10 GA STAINLESS STEEL, 25" X 22" X 10" DEEP, SELF RIMMING W/ FAUCET LEDGE W/ SINGLE LEVER KITCHEN SWING FAUCET ON 8" CTRS W/ BRASS SPOUT AND ESCUTCHEON PLATE AND AERATOR (NO SPRAY). PROVIDE CHROME FLEX SUPPLIES.
- S-2 ELKAY LR-1916 SINGLE COMPT, 10 GA STAINLESS STEEL, 19" X 18" X 7-1/2" DEEP, SELF RIMMING W/ FAUCET LEDGE W/ SINGLE LEVER KITCHEN SWING FAUCET ON 8" CTRS W/ BRASS SPOUT AND ESCUTCHEON PLATE AND AERATOR (NO SPRAY). PROVIDE CHROME FLEX SUPPLIES.
- MR-1 ANGLE STOP, FOURERS PLAT, 24" X 24", 9155-2424 W/ INTEGRALLY MOLDED SHELF FITTING, FAUCET, CHICAGO FAUCET 1991, 3/4" HOSE OUTLET (W/ HOSE), BUCKET HOOK, TOP SPOUT BRACED TO WALL, APPROVED VACUUM BREAKER AND UNION COUPLINGS AND INTEGRAL STOPS.
- FB-1 FLOOR SINK, SMITH 2100, CAST IRON FLANGED W/ PORCELAIN, W/ DOME STRAINER AND GRATE AS INDICATED.
- WH-1 GAS WATER HEATER, AO SMITH 19GCS-40, 40 GAL STORAGE, GLASS LINED, NATURAL GAS, 32000 BTUH INPUT, 34.5 GPH RECOVERY, CEC APPROVED. DIMENSIONS: 50 1/2" X 18 1/4" DIA, 10 YR WARRANTY.
- HB-1 HOSE BIBBS, ACORN 18120, LOOSE KEY, ROUGH CHROME.
- RR-1 ROOF RECEPTOR, SMITH 21620, NO HUB, W/ UNDERDECK CLAMP, 2 1/2" DAM CAST IRON.
- FD-1 FLOOR DRAIN, SMITH #200 BRONZE STRAINER.
- SHR-1 SHOWER FITTINGS, CHICAGO #1702-15 HYDROPOISE W/ PRESSURE BALANCING LEVER HANDLE SHOWER VALVE W/ INTEGRAL STOPS, ADJUSTABLE SPRAY SHOWER HEAD, SMITH #2010 BRONZE DRAIN, SHOWER STALL & PAN BY OTHERS.

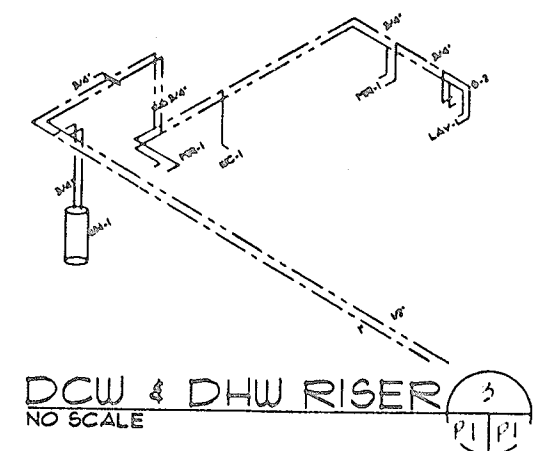
PLUMBING LEGEND

NEW	EXISTING	SYMBOL	DESCRIPTION
---	---	W	WASTE (ABOVE GROUND)
---	---	W	WASTE (UNDER GROUND)
---	---	V	VENT
---	---	DCW	DOMESTIC COLD WATER
---	---	DHW	DOMESTIC HOT WATER
---	---	SOV	SHUT OFF VALVE (BALL TYPE)
---	---	U	UNION
---	---	CO	CLEAN OUT (FLOOR, WALL, GRADE)
---	---	VTR	VENT THRU ROOF
---	---	A/C	ABOVE CEILING
---	---	POC	POINT OF CONNECTION
---	---	U/G	UNDER GROUND
---	---	U/F	UNDER FLOOR
---	---	HB	HOSE BIBBS
---	---	FD	FLOOR DRAIN
---	---	FS	FLOOR SINK
---	---	OF	OVERFLOW DRAIN
---	---	CD	CONDENSATE DRAIN
---	---	G	NATURAL GAS
---	---	P&T	PRESSURE AND TEMPERATURE
---	---	FU	FIXTURE UNITS
---	---	(E)	INDICATES EXISTING OBJECT

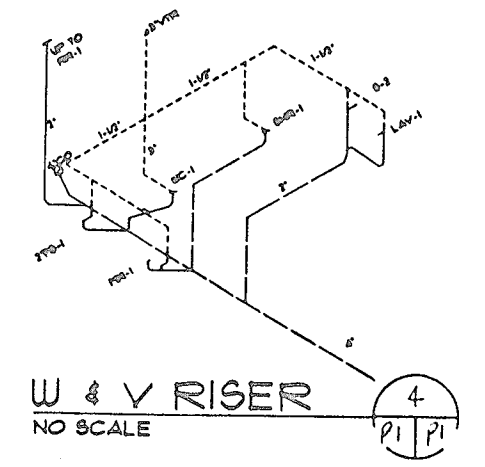
PIPE SCHEDULE

1. AT 15' FROM BLDG
2. AS APPROVED FOR NATURAL GAS
3. WHERE ALLOWED BY CODE

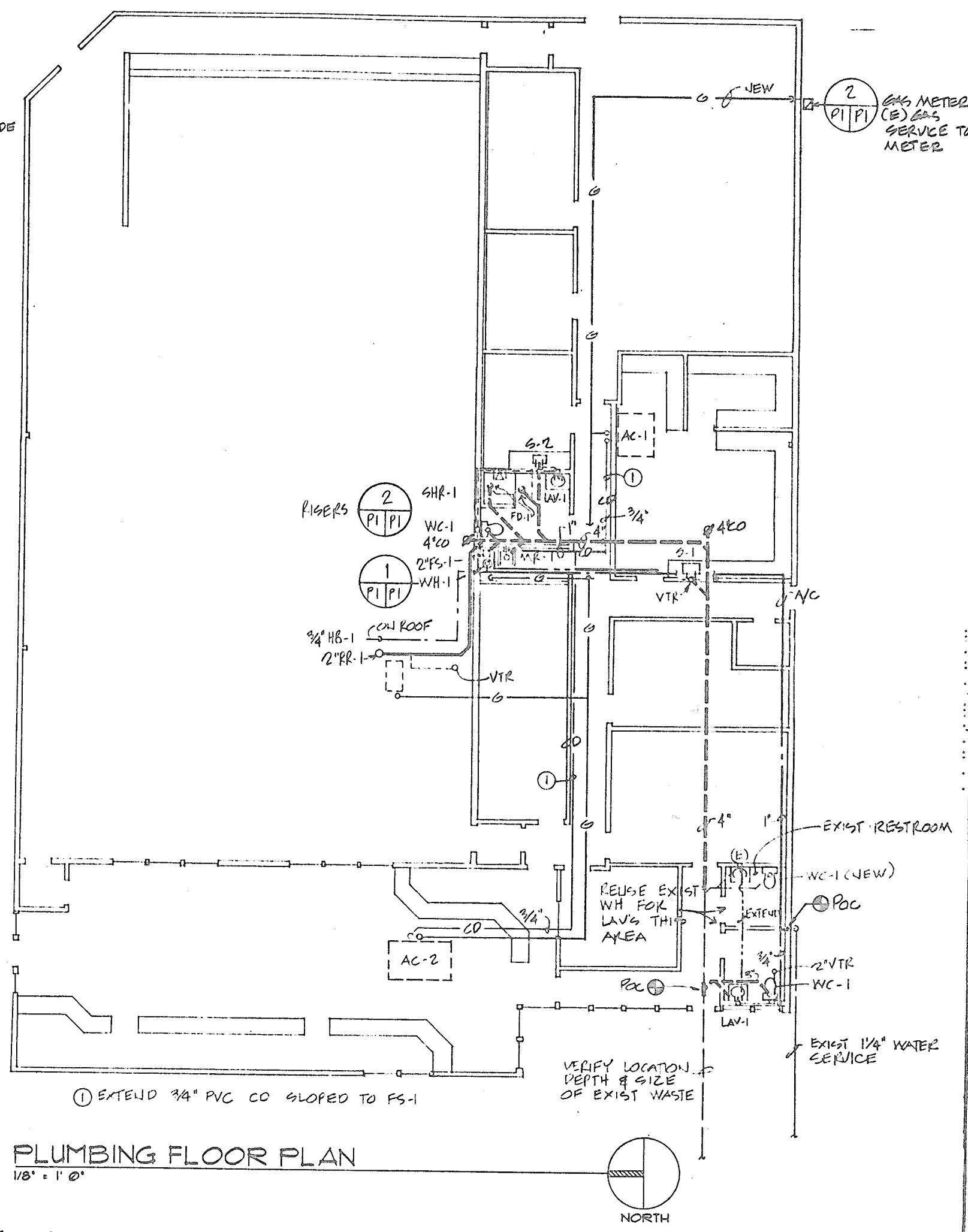
SERVICE	INSIDE	MATERIAL	REMARKS
WATER	INSIDE	COPPER TYPE 'L'	
SANITARY WASTE	INSIDE	SCHEDULE 80, PVC	
SANITARY VENT		ABS	
NATURAL GAS	INSIDE	HUBLESS CAST IRON	
COND DRAIN	INSIDE	PVC	
	OUTSIDE	SCHEDULE 40, BL ST	



DCW & DHW RISER
NO SCALE



W & V RISER
NO SCALE



PLUMBING FLOOR PLAN
1/8" = 1'-0"

WATER & SEWER SIZING

FLUSH TANK FU = FIXTURE UNITS

FIXTURE	QTY	INDIVIDUAL	TOTAL	WASTE
PUBLIC		CW (FU)	CW (FU)	FU TOTAL FU
WC-1	3	5	15	4
LAV-1	3	2	6	1
SHR-1	2	4	4	2
S-12	2	4	8	2
MR-1	01	4	4	3
RR-1	1	0	0	2
		31 FU		26 FU
		= 22 GPM		4" W
		1-1/4" MIN		
		SERVICE		

FIXTURE SCHEDULE

FIXTURE	TRAP	W	V	DCW	DHW	DESCRIPTION
WC-1	4	4	2	1/2	0	WATER CLOSET, TANK TYPE
L-1	1-1/2	2	1-1/2	1/2	1/2	LAVATORY
S-1	1-1/2	2	1-1/2	1/2	1/2	SINK
S-2	1-1/2	2	1-1/2	1/2	1/2	SINK
S-12	2	2	1-1/2	1/2	1/2	SHOWER FITTINGS
RR-1	2	2	1-1/2	1/2	1/2	ROOF RECEPTOR
FS	2	2	1-1/2	1/2	1/2	FLOOR SINK

DESIGNED AND DRAWN BY:
HANK HERRIES
619-231-3741

REVISIONS BY

1	P.C. CAG	5-16-92
2	S.L.V.	5-16-92

DRAWING CONTENTS

PROJECT

PLUMBING PLAN LEGEND & NOTES

ACCURACY GUN

7815 Wilkerson Ct., San Diego, CA 92123

ARCHITECT

GARY R. BAKER

DATE: 5-16-92

SCALE: 1/4" = 1'-0"

JOB: 0325.1

SHEET: 23

OF 23 SHEETS