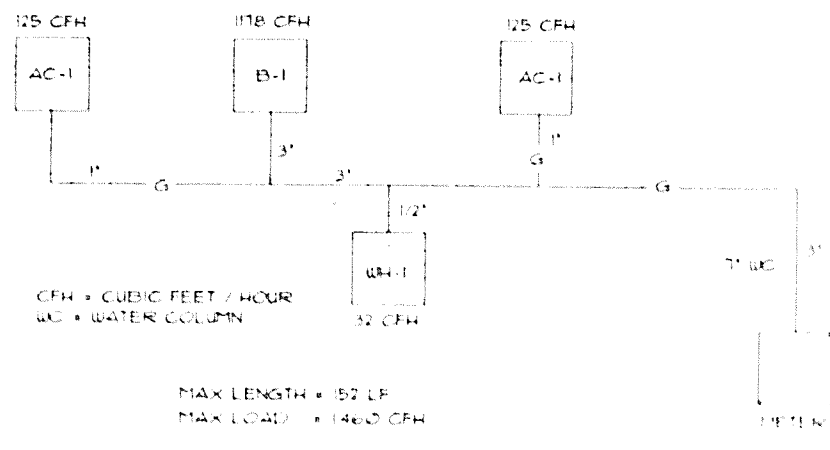


DOMESTIC (120 DEG F)
WATER HEATER DETAIL
 NO SCALE



GAS RISER DIAGRAM
 NO SCALE

PLUMBING FIXTURE LIST

- WC-1 WATER CLOSET - AMERICAN STANDARD NEW CADET AQUAMETER
 15" HIGH FOR THE HANG CAPTED FLUSH VALVE 15" TALL
 MEN FLOOR SPINON SET W/ COLONITE SEAT FB WHITE OPEN FRONT
 SEAT LEGS COVER EXTRA HEAVY W/ SCHEDULED CHECK HINGE
 PROVIDE ANGLE STOP AND FLEX SUPPLY
- LAV-1 LAVATORY - AMERICAN STANDARD TASCALYN AD416283 20" X 17"
 SELF-RIMMING TYPE VITREOUS CHINA 4" CENTERS W/ SINGLE LEVER
 TRIM (CERAMIC FLOOR) CHROME POP UP CLEAN P-TRAP FLEX SUPPLIES
 W/ STOPS AND ESCUTCHEONS INSULATE WATER SUPPLIES
 PER HANDICAP STANDARDS
- LAV-2 WALL MOUNTED LAVATORY - AMERICAN STANDARD 'LUCERNE'
 AD516283 22" X 8" WALL HANG 4" CENTERS W/ SINGLE LEVER TRIM
 (CERAMIC FLOOR) CHROME POP UP CLEAN P-TRAP FLEX SUPPLIES
 W/ STOPS AND ESCUTCHEONS INSULATE WATER SUPPLIES AND WASTE
 PER HANDICAP STANDARDS
- S-1 ELKAY LK-1502 SINGLE COMPT 18 GA STAINLESS
 STEEL 19" X 17" X 10" DEEP SELF-RIMMING W/ FAUCET
 LEDGE W/ SINGLE LEVER KITCHEN SWING FAUCET ON 8"
 CTRS W/ BRASS SPOUT AND ESCUTCHEON PLATE AND
 AERATOR (NO SPRAY) PROVIDE CHROME FLEX SUPPLIES
- S-2 ELKAY LK-1508 - SINGLE COMPT 18 GA STAINLESS
 STEEL 19" X 18" X 10" DEEP SELF-RIMMING W/ FAUCET
 LEDGE W/ SINGLE LEVER KITCHEN SWING FAUCET ON 8"
 CTRS W/ BRASS SPOUT AND ESCUTCHEON PLATE AND
 AERATOR (NO SPRAY) PROVIDE CHROME FLEX SUPPLIES
 ANGLE STOPS ESCUTCHEONS AND P-TRAP FAUCET LK-1540 GOOSENECK
- MH-1 MOP RECEPTOR - FOLKERS FIAT 14" X 14" 855 1424 W/ INTEGRALLY
 MOLDED SHELF FITTING FAUCET - CHICAGO FAUCET 881 34"
 HOSE OUTLET W/ HOSE BUCKET HOOK TOP SPOUT BRACED
 TO WALL APPROVED VACUUM BREAKER AND UNION COUPLINGS
 AND INTEGRAL STOPS
- FB-1 FLOOR SINK - SMITH BICO CAST IRON FLANGED W/ PORCELAIN
 W/ DOME STRAINER AND GRATE 88" NO CATED
- BW-1 GAS WATER HEATER - AD SMITH BICO 40 40 GAL STORAGE
 GLASS LINED NATURAL GAS 1000 BTUH INPUT 845 0PH RECOVERY
 CEC APPROVED DIMENSIONS: 30 1/2" X 18 1/4" DIA 12 1/2" H (MINIMUM)
- HB-1 HOSE BIBB - ACON BICO LOOSE KEY ROUGH CHROME
- NH-1 NOSE RECEPTOR - SMITH BICO NO 883 W/ UNDERDECK CLAMP
 2 1/2" DIA CAST IRON

NEW

WE ARE EMPLOYED
 IN THE FIELD
 OF THE
 PLUMBING
 TRADE
 AND
 WE
 ARE
 INTERESTED
 IN
 YOUR
 SERVICE
 IF
 YOU
 CAN
 ASSIST
 US
 IN
 ANY
 WAY
 PLEASE
 CONTACT
 US
 AT
 THE
 ADDRESS
 BELOW

DCW
 NO SCALE

U 4
 NO SCALE

490

490