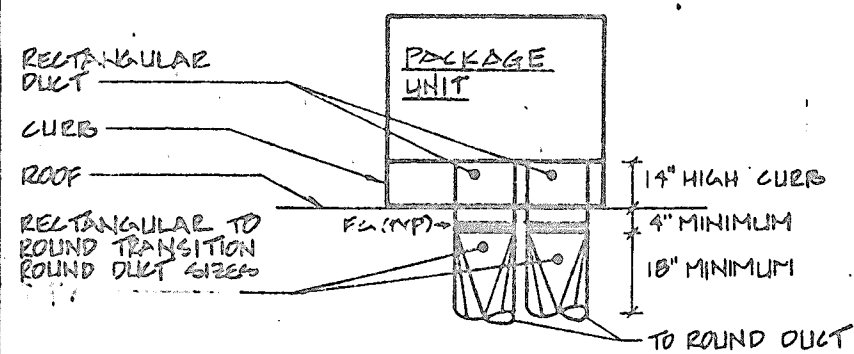
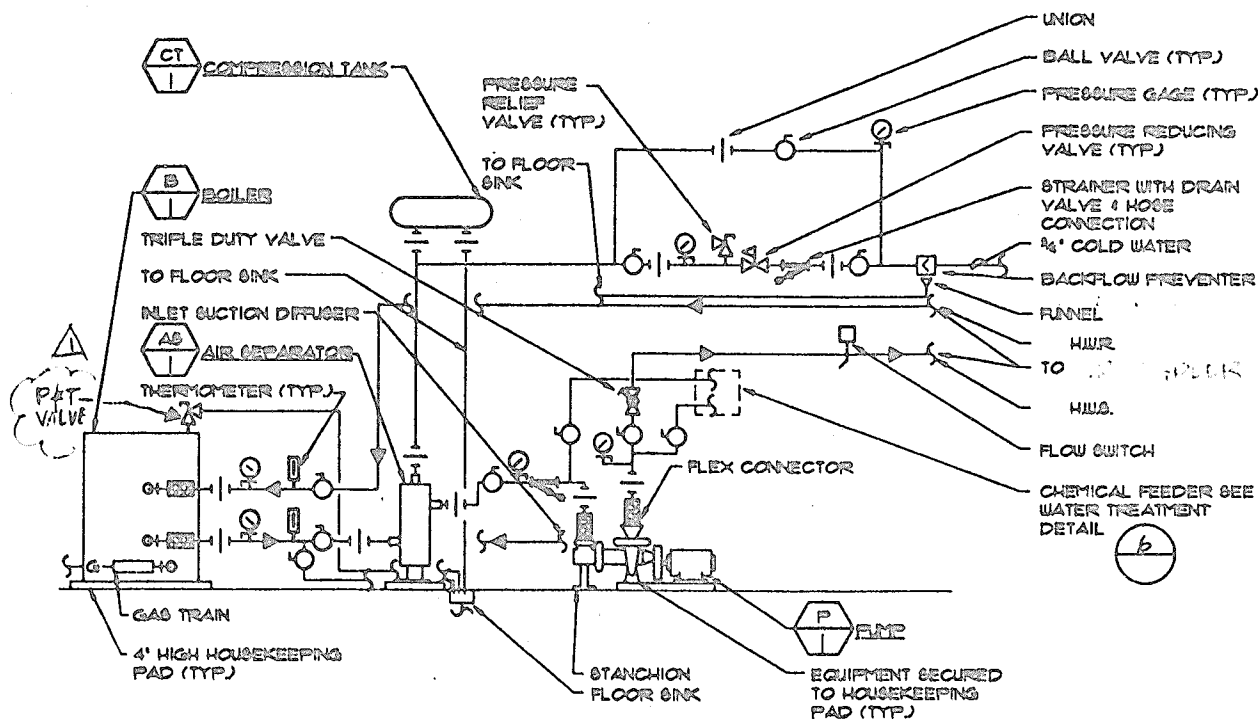


**NOTES:**

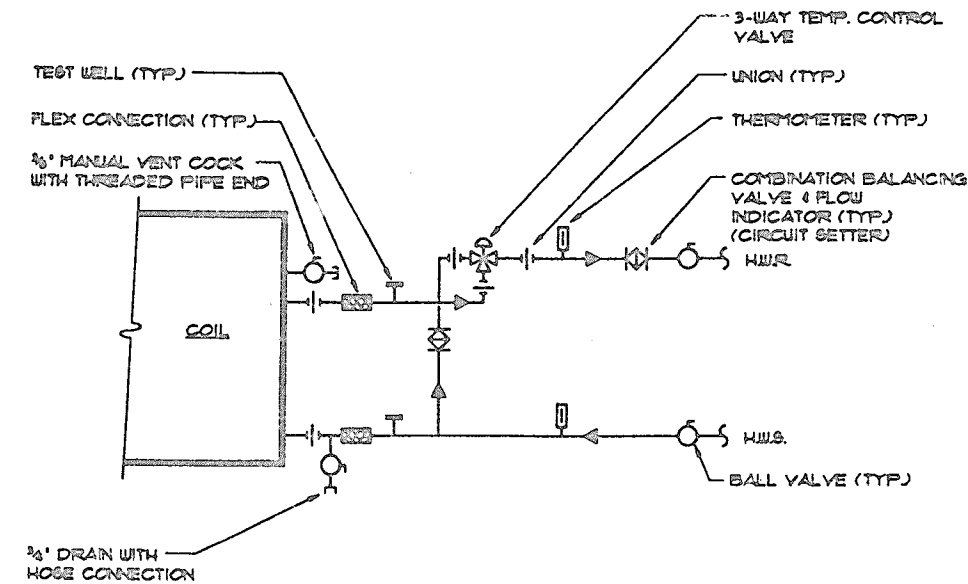
- 1) SECURE PACKAGING TO CURB
- 2) SEE ARCHITECTURAL PLANS FOR SECURING CURB TO ROOF & ROOFING AT CURB DETAIL



**PACKAGE A.C. UNIT DETAIL**  
NOT TO SCALE

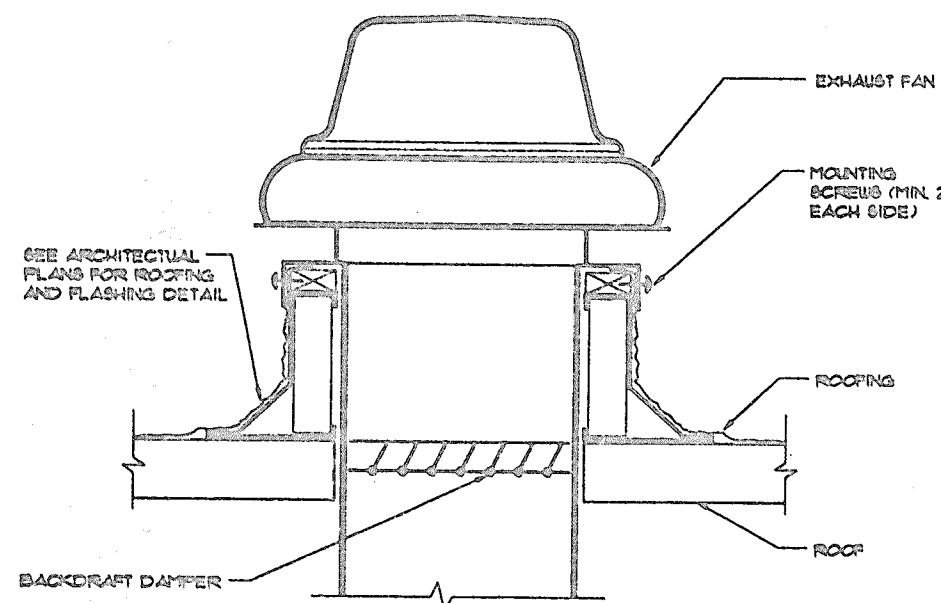


**HOT WATER DIAGRAM**  
NOT TO SCALE

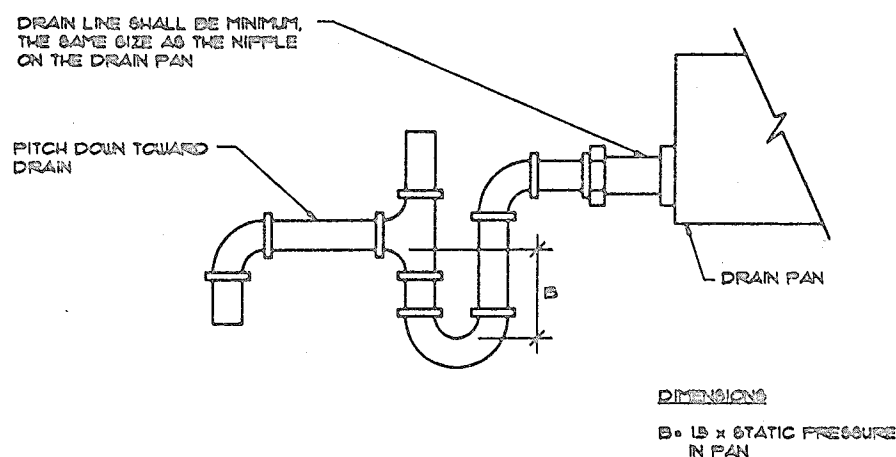


- NOTES:**  
1. SUPPORT PIPING FROM STRUCTURE. IN NO CASE SHALL WEIGHT OF PIPING BE CARRIED BY COIL. SEISMICALLY BRACE ALL PIPING.

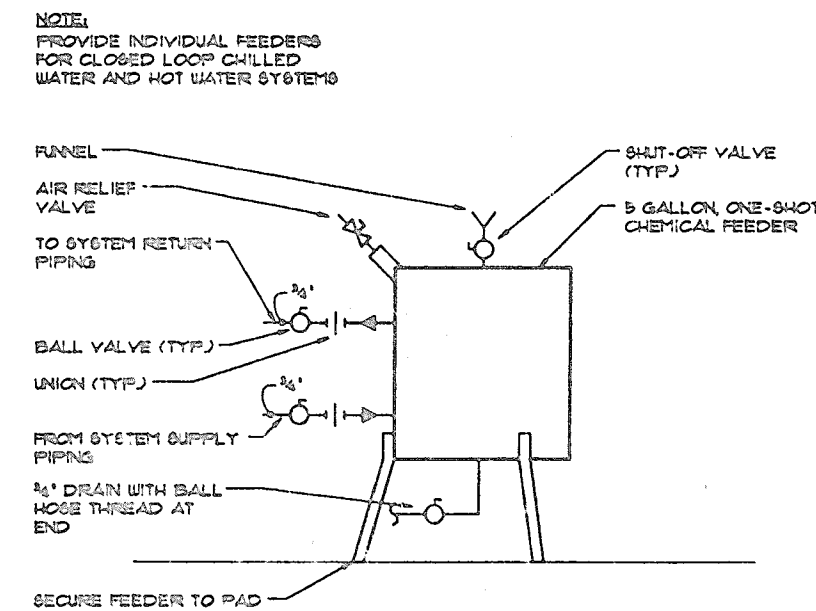
**3-WAY HEATING COIL DETAIL**  
NOT TO SCALE



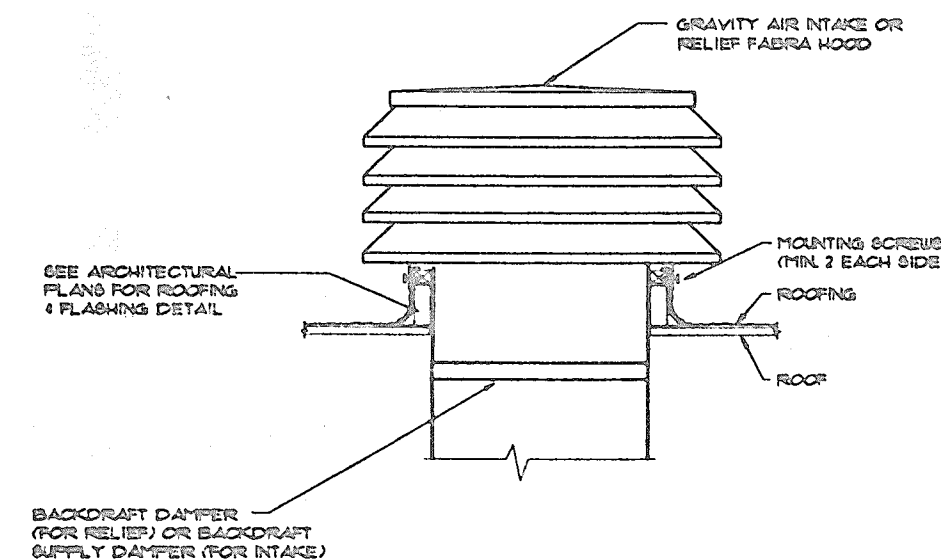
**ROOF EXHAUST FAN DETAIL**  
NOT TO SCALE



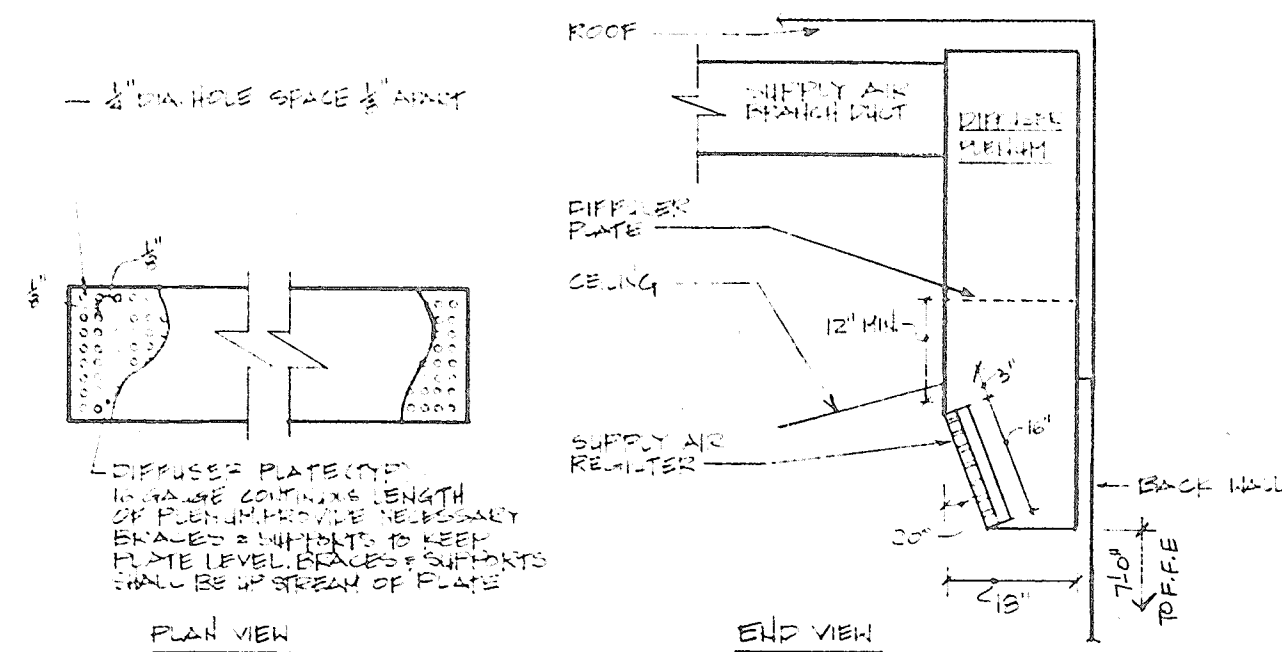
**PRIMARY CONDENSATE DRAIN TRAP DETAIL**  
NOT TO SCALE



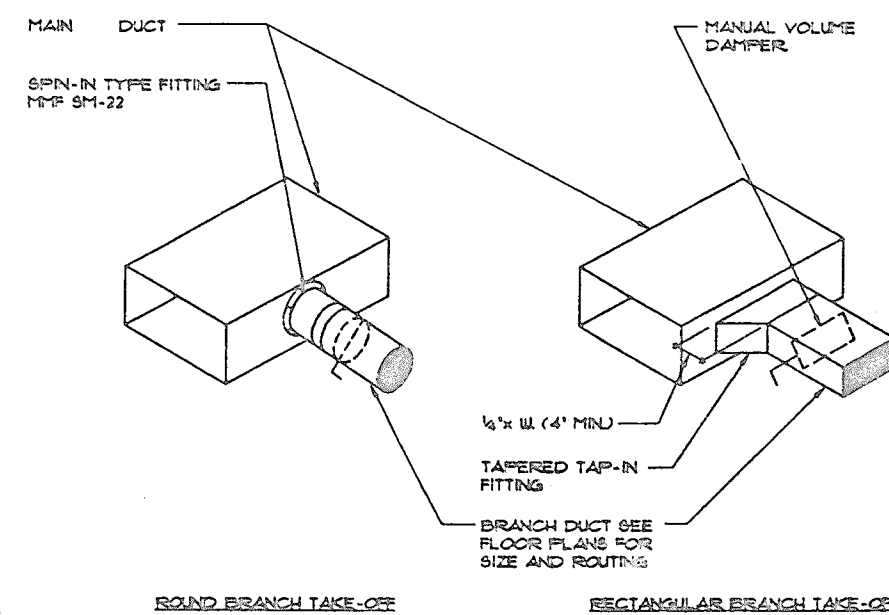
**WATER TREATMENT DETAIL**  
NOT TO SCALE



**GRAVITY AIR INTAKE OR RELIEF DETAIL**  
NOT TO SCALE



**DIFFUSER PLENUM DETAIL**  
NOT TO SCALE



**BRANCH DUCT TAKE-OFF DETAIL**  
NOT TO SCALE

REVISIONS	BY
1	P.C. C/2
2	S/16

**MECHANICAL DETAILS**  
**ACCURACY GUN**  
 7818 Wilkerson Ct. San Diego, CA 92123

DESIGN DEVELOP	3/16
PLAN CHECK	3/16
BIDDING	3/16
CONSTRUCTION	
RECORD	

Date: 1-18-94  
 Scale: 1/8"=1'-0"  
 Drawn: M.M.  
 Job: 9318  
 Sheet: M-2  
 Of 23 Sheets

**A.L.M. ENGINEERING**  
 COMMERCIAL and RESIDE  
 • HVAC Design  
 • Plumbing Design  
 • Title 24 Compliance  
 • Economic Energy Analysis  
 10225 Chalmers Circle  
 San Diego, CA 92131  
 536-1151