

FIELD VERIFY EXACT LOCATION OF SUSP. STL BAFFLES and LIGHTING, TYPICAL, COORD. W/ CASWELL PLANS and STRUCTURAL DETAILS.

DRAFTSTOP ABOVE PER (10) (B)

2 3/8" BAFFLE

2 3/8" BAFFLE

2 3/8" BAFFLE

2 3/8" BAFFLE

FLAT 2x6 BAFFLE

DIFFUSER PER SHT M-1

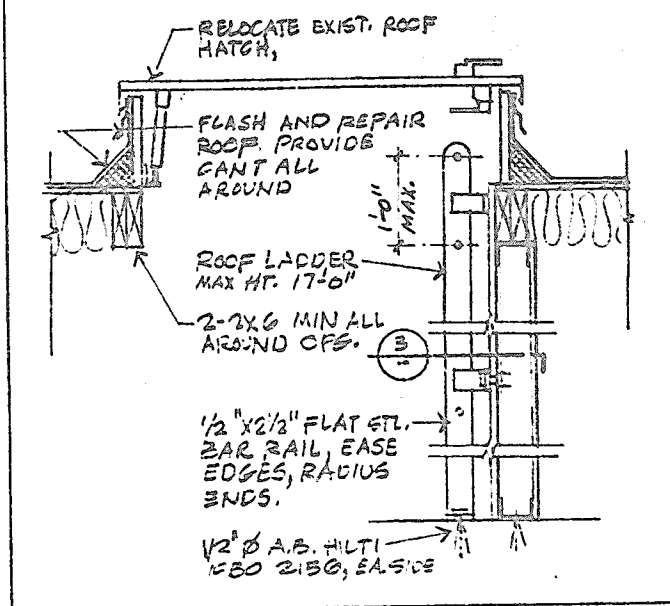
SOUND LOCK 102

PABX ANNUNCIATOR NOT UNDER THIS PERMIT

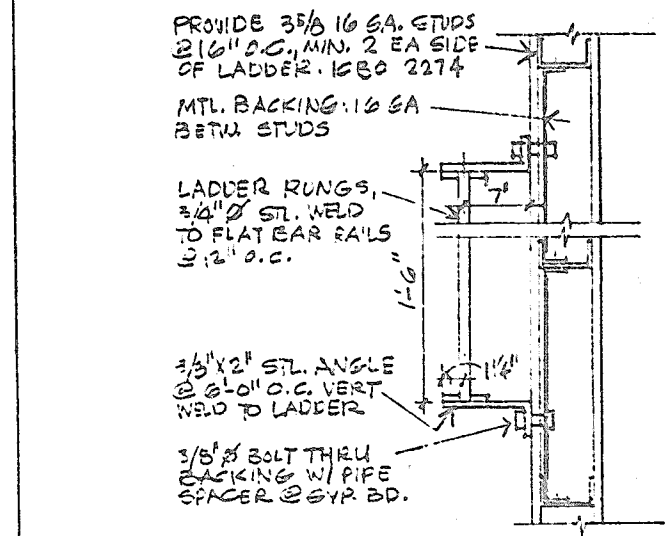
IN FILL WALL ABOVE STORE FRONT SYSTEM, 2 1/4" x 2 1/2" SA AT 12" O.C., 1680 2274, 624" O.C., 6 1/2" GYP. BD. ONE SIDE, IN/ R-15 BATTS TO INSUL. @ CEILING OR ROOF ABOVE. LENGTH = 3' (2 L.F.) and 8' HIGH. RELOCATE EXIST. STOREFRONT WALL BRACING.

1 REFLECTED CLG. PLAN

**SHEET NOTES**  
 1. PROVIDE R-19 BATT INSULATION AS FOLLOWS  
 a) DIRECTLY ON SUSP. ACC. CLG. @ FIRING LANES ROOMS: 103, 104, 105, 106, AND 107.  
 b) ALL OTHER ROOMS; APPLY DIRECTLY TO UNDERSIDE OF PANELIZED ROOF SYSTEM.



ROOF HATCH and LADDER 1"=1'-0" 2



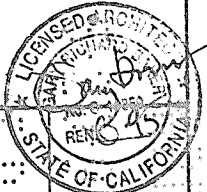
ROOF LADDER 1"=1'-0" 3

- 1 - 8' 2 TUBE SUSPENDED FLUOR LIGHT FIXTURE
- △ SURFACE MTD. INCAND. SPOT LIGHT 150W LAMP
- 2'-0" x 4'-0" SUSPENDED ACOUSTIC CEILING TILE GRID SYSTEM. ALL SUSP. CEILING HTS. = 9'-0" MIN. UNLESS NOTED OTHERWISE @ 1/8" OR SECTION A.3.
- USE DETAIL 5/6 FOR STRUT SIZING.
- 5/8" TYPE 'X' GYP BR. CEILING ON FRAMING, MIN. 2x4 @ 12" O.C. TO 8' SPAN. USE WATER RESISTANT IN ALL WET AREAS.
- 2'-0" x 4'-0" RECESSED FLUORESCENT LIGHT FIXTURE 3 LAMPHOLES EA.
- 1' x 4' SURFACE MTD. FLUOR. LIGHT FIXTURE
- 2' WALL MTD. FLUOR. FIXT. WALL MTD. INCAND. (EXTERIOR NP) RECESSED INCAND. LIGHT FIXTURE (NP= WATERPROOF) PENDANT INCANDESCENT EXHAUST FAN - SEE MECH. SHT. M-1
- SUPPLY AIR GRILL - SEE MECH., SHT. M-1 RELIEF REGISTER - SEE MECH. RETURN AIR GRILL - SEE MECH.
- EXIST. 4' x 8' SKYLIGHTS TO REMAIN (5 TOTAL) PROVIDE SECURITY GRILL PER (10) (B)
- EXIST. TURBINE ROOF VENTS TO REMAIN (4 TOTAL)
- ROOF ACCESS
- DIRECTIONAL EXIT SIGN

LEGEND (SEE FIXTURE SCHED, SHT. E-2)

REVISIONS	BY
1	P.C. CARR 5-17-94
2	GB

**GARY R. BAKER ARCHITECT**  
 1640 BIRCH BLVD. SUITE 2450 SAN DIEGO, CA 92108 (619) 521-1000



**ACCURACY GUN**  
 7818 Wilshire Ct. San Diego, CA 92123

DRAWING CONTENTS	PROJECT
DESIGN DEVELOP	5/26/94
PLAN CHECK 1	6/1/94
PLAN CHECK 2	6/1/94
REVISION	
CONSTRUCTION RECORD	
DATE	5-16-94
SCALE	1/8"=1'-0"
DRAWN	GB
JOB	0325.1
SHEET	5
OF 25 SHEETS	